



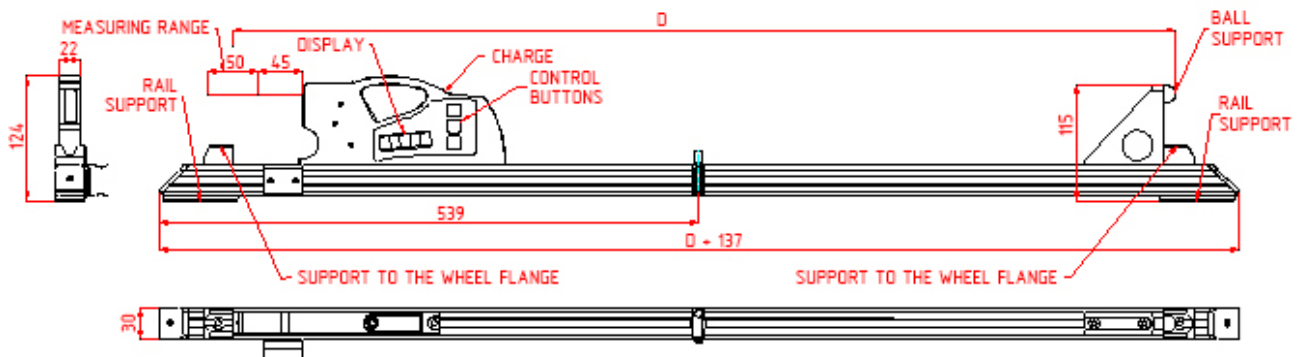
Electronic gauge is designed for measuring back-to-back distance of railway, metro and tram wheels in the course of checkup, examination, repair and formation of wheel sets.

Measurements are made directly on rolling stock without wheel set roll-out.

BASIC TECHNICAL DATA

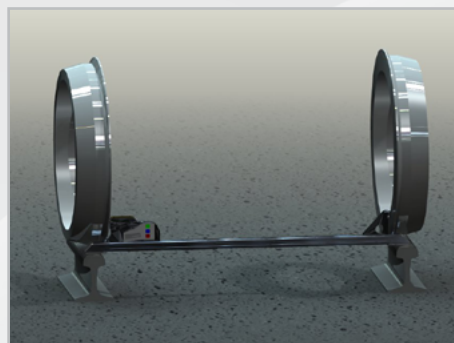
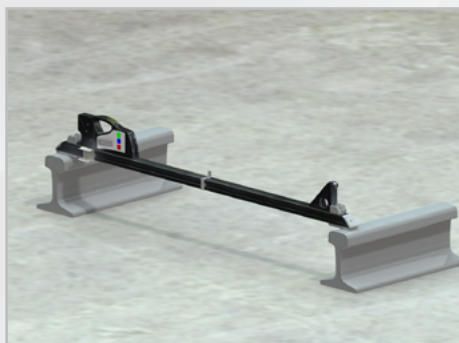
Name of parameter	Value
Measurement range, mm	$D \pm 25$ (D – nominal distance)
Measurement error, mm	± 0.1
Indication discreteness	0.1mm, or 0.01 inch
Display	build-in, LED
Operating temperature, °C	-15...+50
Weigh, kg	1
Dimensions	$D + 137 \times 30 \times 124$
Power supply	rechargeable batteries 2xAAA, 1.2V

OVERALL DIMENSIONS



OPERATION PRINCIPLE

The method of measurement is based on direct measurement the distance by contactless laser sensor.



EXAMPLE OF DESIGNATION WHEN ORDERING


IMR-D

Symbol	Description
D	Nominal back-to-back distance, mm
Example: IMR-1590. Nominal back-to-back distance is equal 1590 mm	

MEASUREMENT INSTRUMENTS FOR RAILWAY TRANSPORT



Railway Wheel Profile Gauge,
IKP Series




Wheel Diameter Measuring
Gauge, IDK & IDK-BT Series



Back-to-Back Distance
Measuring Gauge, IMR-L Series



Back-to-Back Distance
Measuring Gauge, IMR Series



Disc Brakes Profile Gauge,
IKD Series



Rail Profile Measurement Gauge,
PRP Series