

Portable laser rail profilometer (PRP) is designed for non-contact registration of cross-section of the railhead acting face.

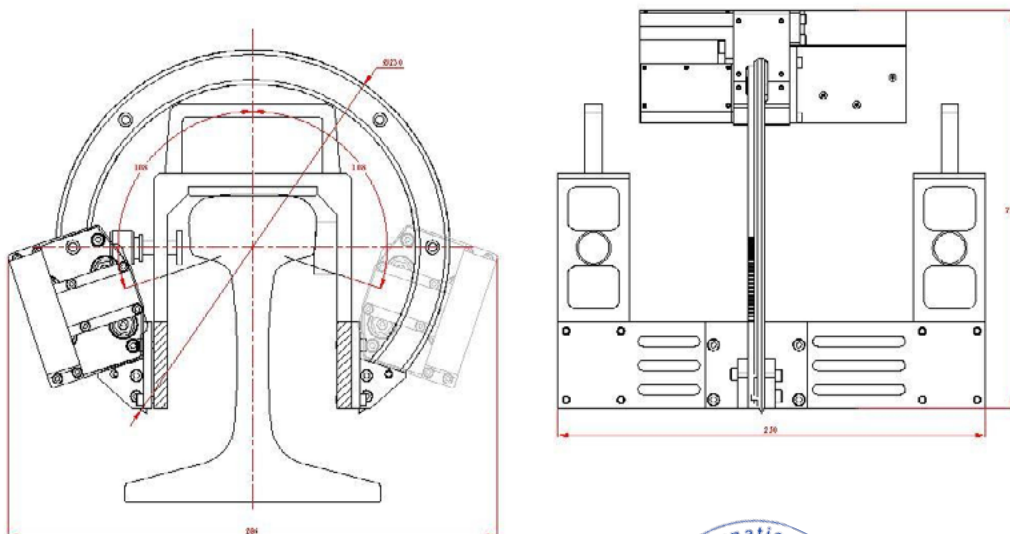
The main functions of PRP are:

- obtaining the information on the cross-section profile of the working railhead surface;
- full profile scanning and analyze of the railhead acting face;
- visualization of the combined graphical images of actual and new crosssection.

BASIC TECHNICAL DATA

Name of parameter	Value
Railhead vertical wear, mm	-5,0 ... +14,0
Lateral railhead wear, mm	-5,0...+18,0
Redused railhead wear, mm	Up to 14,0
Scanning angle inside the rail track, degrees	108
Scanning angle outside the rail track, degrees	108
Inaccuracy, not more than, mm	±0.1
Scanning time, sec	3
Digital readout device dimensions, mm	114x74x20
Power supply, laser module	4,8V, 4 rechargeable batteries, tipe AA, 1,2V
Power supply, PDA	3,7V lithium-polymer batteries, 3300mAh
The number of measurements that can be taken before battery recharge is not less than	1000
PDA memory capacity, no less	100 000 measurements
Interface to PC	Bluetooth

OVERALL DIMENSIONS



OPERATION PRINCIPLE

Operator mounts the laser scanning module onto the railhead to be measured. Having received a command from PDA or PC, the laser module performs non-contact scanning of rail surface. Measurement results (geometric parameters and profile of the surface) are displayed on PDA, can be saved in the PDA memory, and transferred to the PC database. Simultaneously, additional parameters can be saved: date, operator number, permanent way division, track number, rail type, etc.

MEASUREMENT INSTRUMENTS FOR RAILWAY TRANSPORT



Railway Wheel Profile Gauge,
IKP Series



Wheel Diameter Measuring
Gauge, IDK & IDK-BT Series



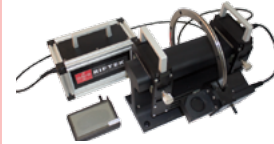
Back-to-Back Distance
Measuring Gauge, IMR-L Series



Back-to-Back Distance
Measuring Gauge, IMR Series



Disc Brakes Profile Gauge,
IKD Series



Rail Profile Measurement Gauge,
PRP Series